

Barudan

ELECTRONIC HIGH SPEED EMBROIDERY MACHINE

BEJR BESR BEX PARTS BOOK

BARUDAN CO., LTD.

ADDRESS 20-TSUKAGOSHI, JOSUJI
ICHINOMIYA-CITY, AICHI-PREF.
JAPAN

TEL. (0586) 76-1137
TELEX 4573268 BARUNA J
CABLE BARUNA ICHINOMIYA

INDEX

Part No.	Page	Fig. No.	Part No.	Page	Fig. No.	Part No.	Page	Fig. No.
1191HJ	7	26	2331F	4	13	2411HJ	6	1
1192HJ	7	26	2332F	4	12	2416F	6	11
2111F	1	1	2333F	4	26	2417F	6	14
2121F	1	2	2334F	4	14	2422F	6	12
2211F	2	9	2335F	4	27	2425F	6	10
2212F	2	13	2335F	10	13	2430F	6	38
2213F	2	15	2336F	4	31	2431F	6	18
2214F	2	7	2336F	10	14	2432F	6	19
2215F	2	17	2341F	2	1	2433F	6	21
2216F	2	10	2342F	2	2	2436F	6	9
2218F	2	11	2343F	2	3	2441F	5	28
2219F	2	18	2344F	2	4	2442F	5	15
2221F	2	40	2345F	4	17	2443F	5	2
2222F	2	28	2346F	4	16	2444F	5	3
2223F	2	25	2347F	4	18	2445F	5	4
2224F	2	23	2348F	4	19	2446F	5	7
2225F	2	24	2349F	3	2	2447F	5	6
2227F	2	32	2351F	3	7	2448F	5	11
2228F	2	33	2352F	3	8	2449F	5	10
2229F	2	29	2353F	3	3	2451HJ	5	20
2231F	2	38	2354F	3	4	2452F	5	22
2245F	2	20	2355F	3	9	2453F	5	25
2246F	2	21	2361F	3	11	2455F	5	23
2247F	2	26	2361F	9	14	2456F	5	24
2248F	2	27	2363F	3	12	2461F	5	17
2255F	1	9	2363F	9	15	2471F	6	8
2301F	4	1	2364F	3	15	2475F	6	13
2302F	4	2	2365F	3	19	2477F	6	16
2303F	3	1	2391F	4	7	2481F	6	15
2311F	4	38	2393F	4	8	2491F	6	22
2312F	4	21	2401HJ	6	6	2492F	1	4
2313F	4	5	2402F	5	1	2493F	1	5
2318F	4	3	2403F	5	21	2501F	6	25
2321F	4	4	2406F	6	4	2502F	6	33
2323F	4	9	2407F	6	5	2511F	1	12
2325F	4	11	2408F	6	7	2512F	1	3

INDEX

Part No.	Page	Fig. No.	Part No.	Page	Fig. No.	Part No.	Page	Fig. No.
2513F	1	7	3152HJ	8	23	3351HJ	9	24
2516F	1	10	3154HJ-1	8	43	3361HJ	10	16
2520F	6	27	3153HJ	8	21	3381HJ	10	22
2521F	6	26	3155HJ-1	8	3	3385HJ	9	7
2522F	6	31	3156HJ-1	8	28	4510HJ	11	1
2523F	6	29	3157HJ	8	4	4518HJ	13	9
2524F	6	30	3158HJ-1	8	38	4518HJ	14	53
2525F	6	28	3159HJ-1	8	42	4519HJ	13	6
2526F	6	36	3162HJ-2	7	11	4519HJ	14	58
2530F	6	35	3163HJ	7	15	4520HJ	11	1
2531F	6	34	3165HJ	8	19	4530HJ	11	1
3101HJ	8	44	3166HJ	8	17	4540HJ	11	1
3102HJ	8	15	3167HJ	8	18	4547HJ	13	4
3111HJ	7	14	3204F	7	10	4547HJ	14	57
3112HJ	7	14	3225F	7	8	4548HJ	13	5
3122HJ	7	21	3226F	7	6	4548HJ	14	61
3128HJ	7	21	3251F	7	4	4596HJ	13	2
3129HJ	7	21	3252F	7	3	4597HJ	14	33
3131HJ	7	21	3259HJ	8	2	4711H	13	19
3131HJ	8	11	3311HJ-4	14	1	4711H	14	10
3133HJ	7	22	3313HJ	9	1	4712H	13	18
3134HJ	7	22	3315HJ	10	10	4712H	13	20
3135HJ	8	12	3316HJ	10	7	4712H	14	4
3136HJ	7	20	3317HJ	10	3	4712H	14	5
3137HJ	7	20	3318HJ	10	8	4715HJ	13	29
3138HJ	7	20	3319HJ	10	6	4716HJ	14	13
3138HJ	8	5	3321HJ	10	20	4717H	13	28
3139HJ	8	14	3322HJ	10	11	4717H	14	12
3141HJ	7	13	3323HJ	9	11	4718H	12	13
3143HJ	8	52	3324HJ	9	8	4718H	12	13
3145HJ-1	8	27	3325HJ	9	9	4719HJ	12	35
3146HJ-1	8	31	3326HJ	9	2	4729HJ	14	22
3147HJ-1	8	10	3328HJ	10	1	4746HJ	14	52
3148HJ-1	8	45	3329HJ	9	20	4752HJ	12	19
3149HJ-1	8	46	3338F	4	35	4753HJ	14	17
3151HJ	8	22	3339F	3	24	4754HJ	12	28

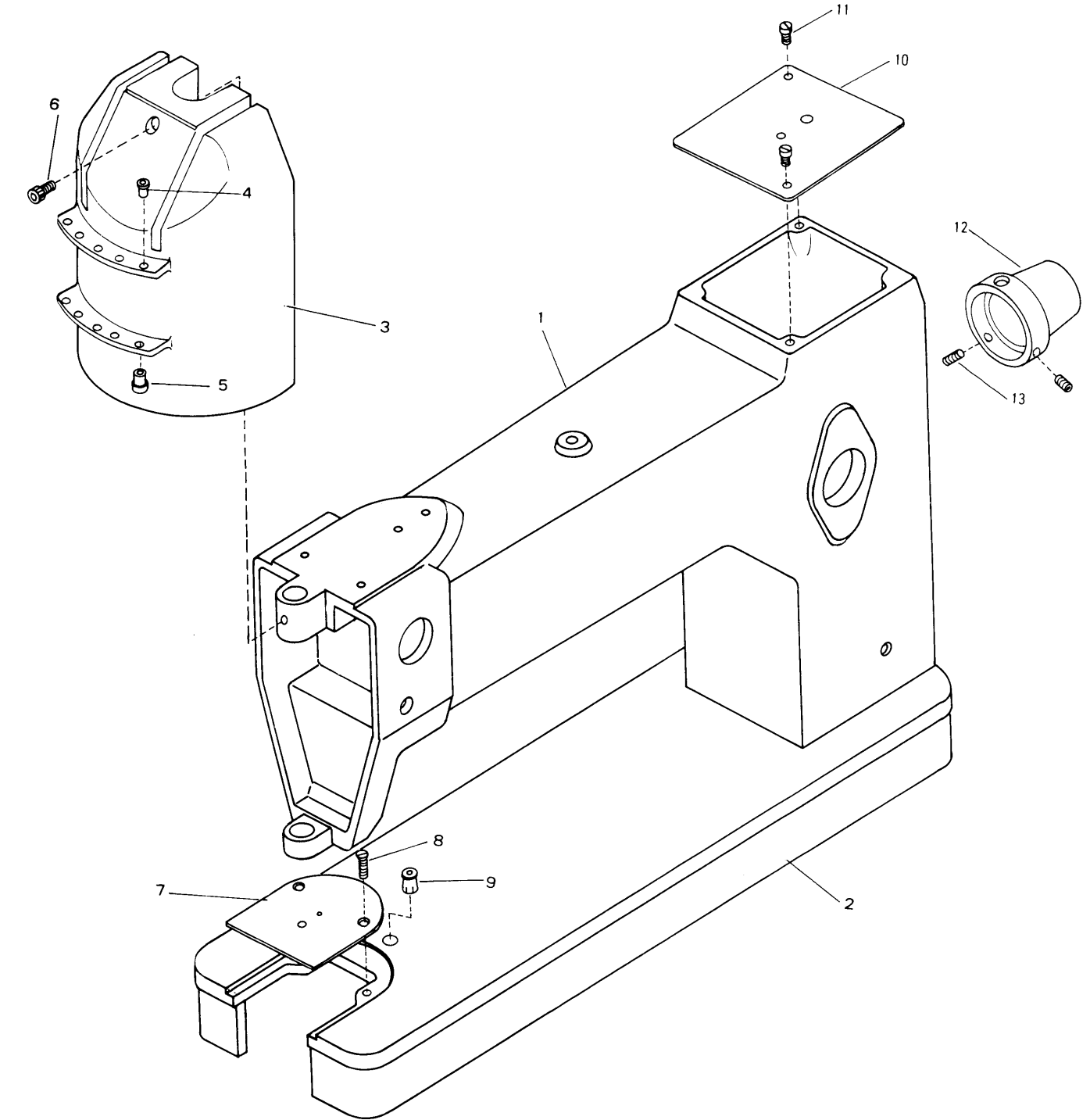
INDEX

Part No.	Page	Fig. No.	Part No.	Page	Fig. No.	Part No.	Page	Fig. No.
4754HJ	14	42	4828HJ	11	30	SSA-2015F (NMB)	4	22
4759HJ	12	17	4829HJ	11	26	GS-1528	4	23
4759HJ	13	12	4831H	11	20	NTB-1528	4	24
4761HJ-1	14	18	4831H	12	8	AS-1528	4	25
4762HJ	12	18	4831H	14	35	RD4-020 (NMB)	4	32
4764HJ	12	15	4833HJ	12	10	A2015 (NMB)	5	5
4765HJ	12	7	4833HJ	14	38	NTN6204	7	7
4767HJ-1	14	16	4835HJ	11	2	BLF202N	8	8
4768HJ	14	21	4838HJ	11	19	600ZZ	8	9
4769HJ	12	22	4838HJ	14	34	600ZZ	8	30
4781HJ	12	16	4841H	12	29	204J (FYH)	8	20
4782HJ	13	15	4841H	14	41	CRB6 (NMB)	9	22
4783HJ	12	12	5110HJ-3	15	1	625ZZ	11	5
4785HJ	12	12	5114HJ	10	5	625ZZ	12	1
4786HJ	13	15	5118HJ	6	2	625ZZ	14	25
4787HJ	12	16	5120HJ-3	15	22	T5-20-222	12	6
4788HJ	13	15	5121HJ	8	34	T5-20-208	14	36
4789HJ	12	12	5124HJ	8	33	5141HJ	6	39
4811HJ	12	11	5201HJ	15	16	5142HJ	6	39
4812HJ	14	39	5211HJ	15	19	5143HJ	6	39
4813HJ	14	39	5222H	15	7	5144HJ	6	39
4814HJ	11	8	5311F	15	12			
4815HJ	11	9	5312F	15	12			
4816HJ	11	7	5315F	15	14			
4817HJ	11	27	5316HJ	15	10			
4819HJ	11	7	5318F	15	13			
4821HJ	11	18	5319F	15	11			
4821HJ	12	5	5401F	16	12			
4823HJ	14	30	5410HJ	16	14			
4824HJ	11	12	5411F	16	8			
4825HJ	14	29	5412F	16	13			
4826HJ	11	17	5413F	16	7			
4826HJ	12	3	5414F	16	6			
4826HJ	14	27	5416F	16	2			
4827HJ	12	27	5417F	16	4			
4827HJ	14	43	5418F	16	1			

BEJR.SR ELECTRONIC HIGH SPEED EMBROIDERY MACHINE PARTS LIST

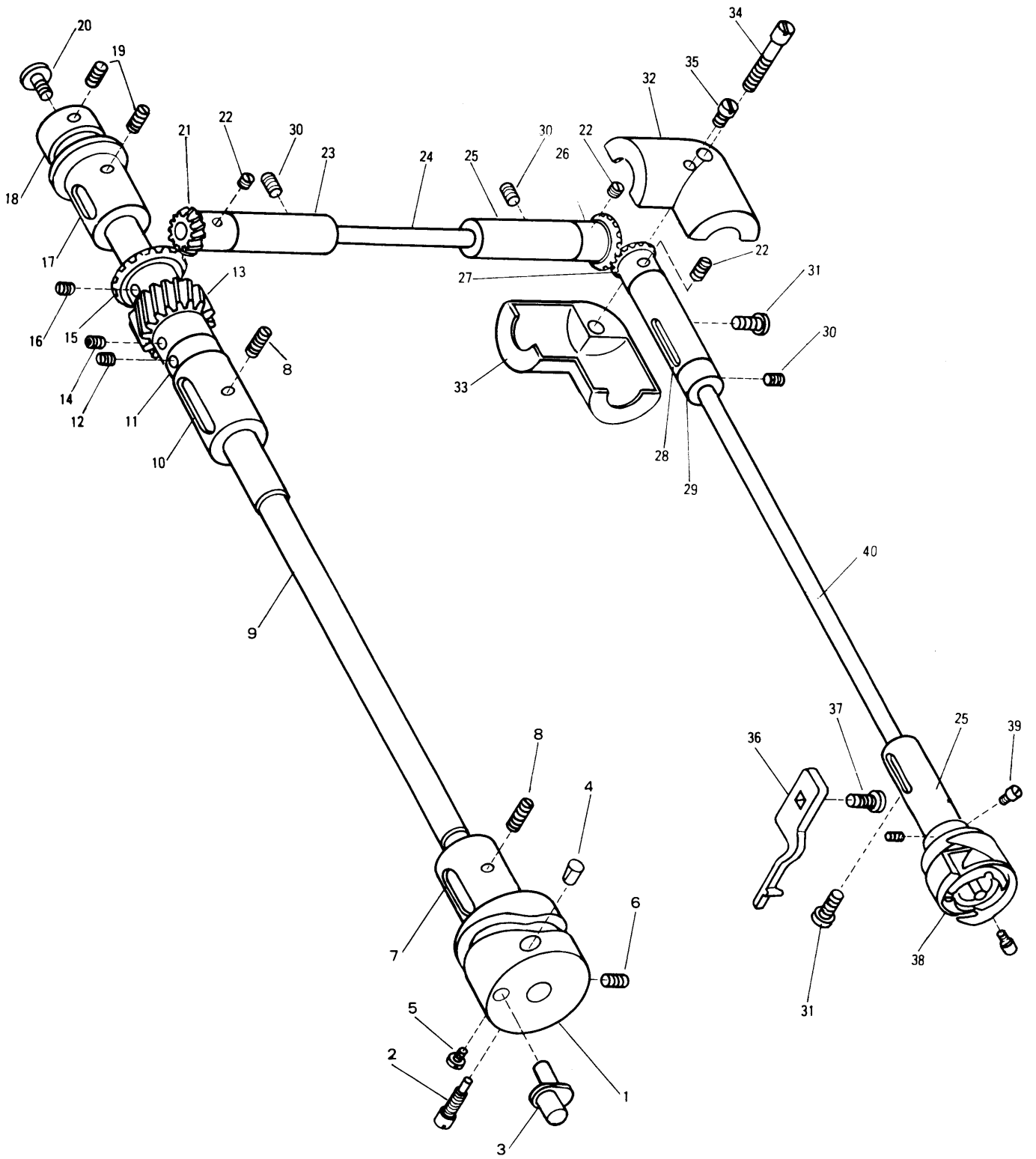
CONTENTS

SEWING HEAD	1
SEWING HEAD DRIVE	2
ROTARY COLOUR CHANGE HEAD AND TAKE UP MECHANISM	3
ROTARY COLOUR CHANGE HEAD AND TAKE UP MECHANISM	4
JUMP STITCH MECHANISM	5
THREAD TENSION ASSEMBLY	6
DRIVE MOTOR AND CLUTCH COMPLETE 1	7
DRIVE MOTOR AND CLUTCH EXPLODED VIEW 2	8
ROTARY COLOUR CHANGE SELECTOR ASSEMBLY	9
ROTARY COLOUR CHANGE SELECTOR ASSEMBLY (EXPLODED VIEW)	10
PANTOGRAPH DRIVE MECHANISM 1	11
PANTOGRAPH DRIVE MECHANISM (H DIRECTION) 2	12
PANTOGRAPH DRIVE MECHANISM (H DIRECTION) 3	13
PANTOGRAPH DRIVE MECHANISM (V DIRECTION) 4	14
ELECTRONIC CONTROL	15
UNDER THREAD STOP MOTION (UTSM) ASSY	16
LIGHT FITTINGS, THREAD STAND, AND SUPPORTS	17



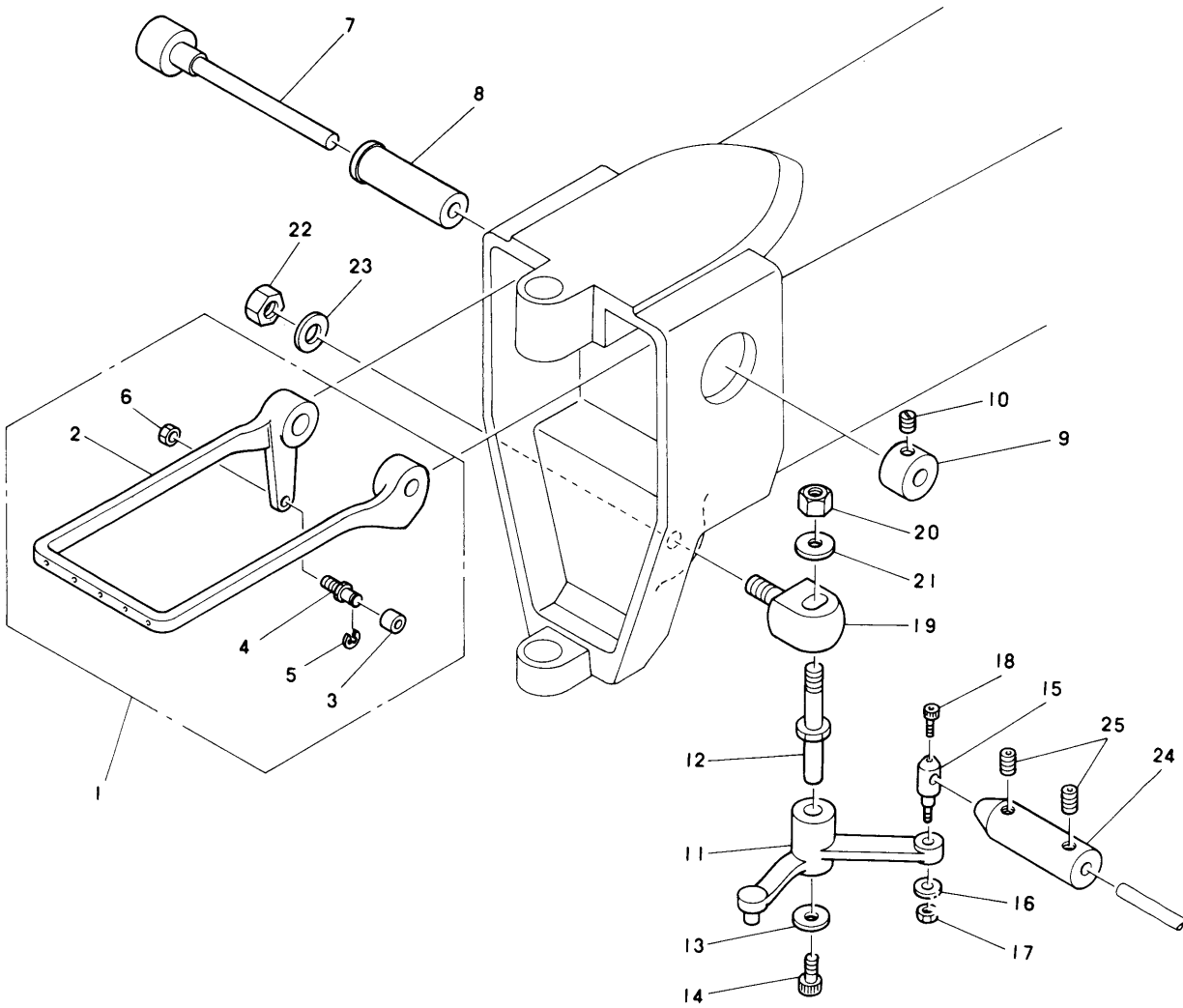
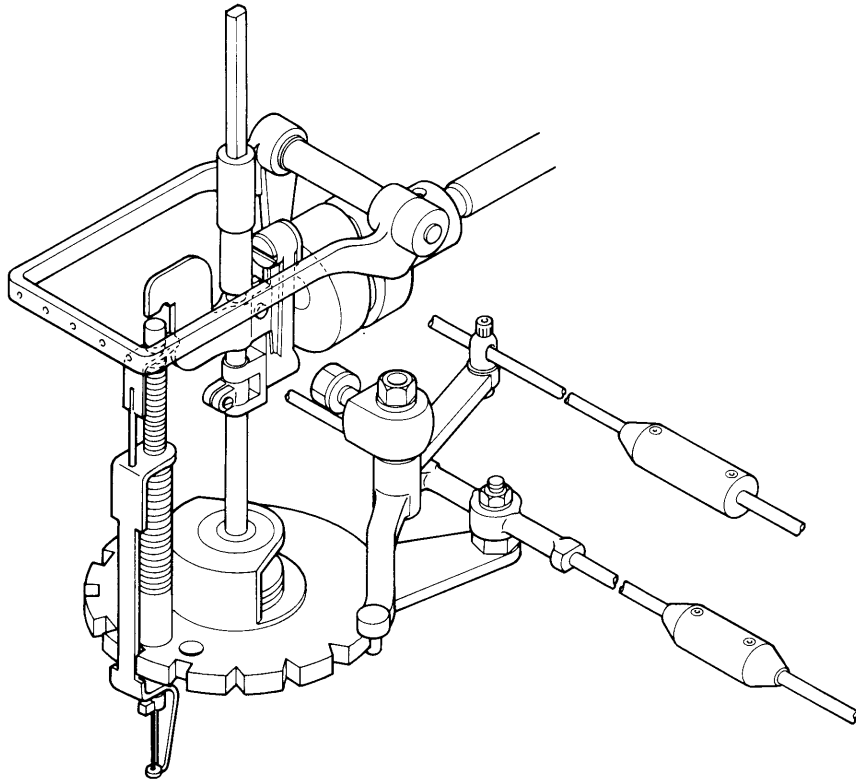
SEWING HEAD

No.		Description
1	2111F SEWING HEAD
2	2121F SEWING HEAD BASE PLATE
3	2512F SEWING HEAD COVER
4	2492F CERAMIC GUIDE (UPPER)
5	2493F CERAMIC GUIDE (LOWER)
6	 ALAN SCREW
7	2513F NEEDLE PLATE
8	 NEEDLE PLATE SCREW (SM 11/64 - 40)
9	2255F DUSTPROOF OILER
10	2516F ARM SHAFT GEAR COVER
11	 RETAINING SCREW FOR G 10 (SM 3/16 - 28)
12	2511F REAR BEARING COVER
13	 GRUB SCREW (M 6)



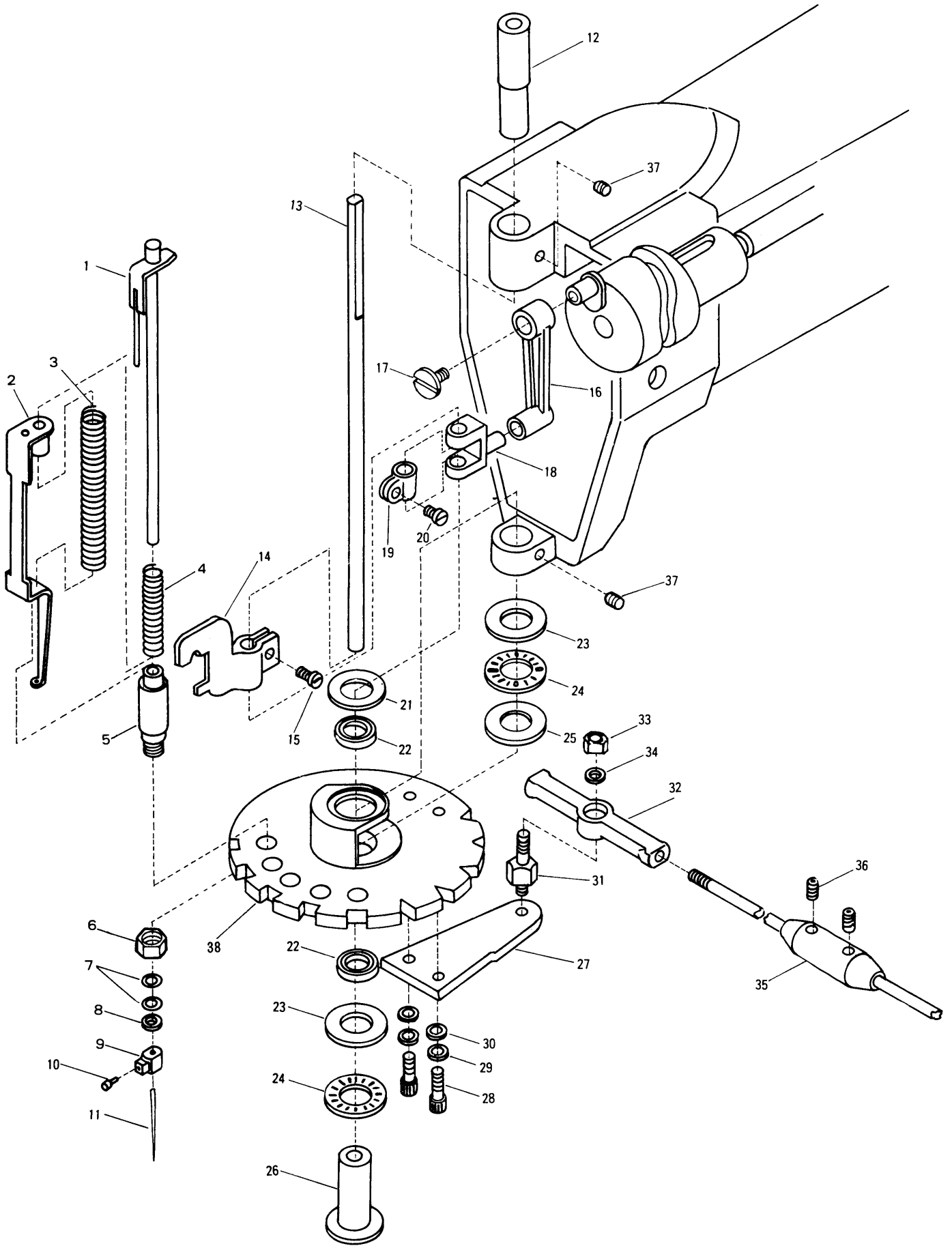
SEWING HEAD DRIVE

No.	Description
1	2341F TAKE UP LEVER CAM
2	2342F LOCATING SCREW
3	2343F CRANK PIN
4	2344F RETAINING PIN FOR H3
5 SCREW FOR H4 (SM 3/16 - 32)
6 GRUB SCREW (M 6)
7	2214F FRONT ARM SHAFT BUSH
8 GRUB SCREW (SM 15/64 - 28)
9	2211F ARM SHAFT
10	2216F ARM SHAFT CENTRE BUSH
11	2218F COLLAR
12 GRUB SCREW (SM 15/64 - 28)
13	2212F HELICAL GEAR
14 GRUB SCREW (M 6)
15	2213F BEVEL GEAR (LARGE)
16 GRUB SCREW (SM 1/4 - 40)
17	2215F REAR BUSH
18	2219F COLLAR (SM 15/64 - 28)
19 GRUB SCREW
20	2245F REAR LOCKING SCREW
21	2246F BEVEL GEAR (SMALL)
22 GRUB SCREW (SM 1/4 - 40)
23	2224F VERTICAL SHAFT BUSH (UPPER)
24	2225F VERTICAL SHAFT
25	2223F BUSH
26	2247F BEVEL GEAR (VERTICAL SHAFT)
27	2248F BEVEL GEAR (HOOK SHAFT)
28	2222F HOOK SHAFT BUSH (REAR)
29	2229F COLLAR
30 GRUB SCREW (SM 15/64 - 28)
31 SCREW (SM 15/64 - 28)
32	2227F GREASE COVER (RHS)
33	2228F GREASE COVER (LHS)
34 SCREW (SM 9/32 - 28)
35 SCREW (SM 15/64 - 28)
36	2251F HOOK BASE RETAINING FINGER
37 SCREW FOR H36
38	2231F SEWING HOOK AND BASE
39 SCREW
40	2221F HOOK SHAFT



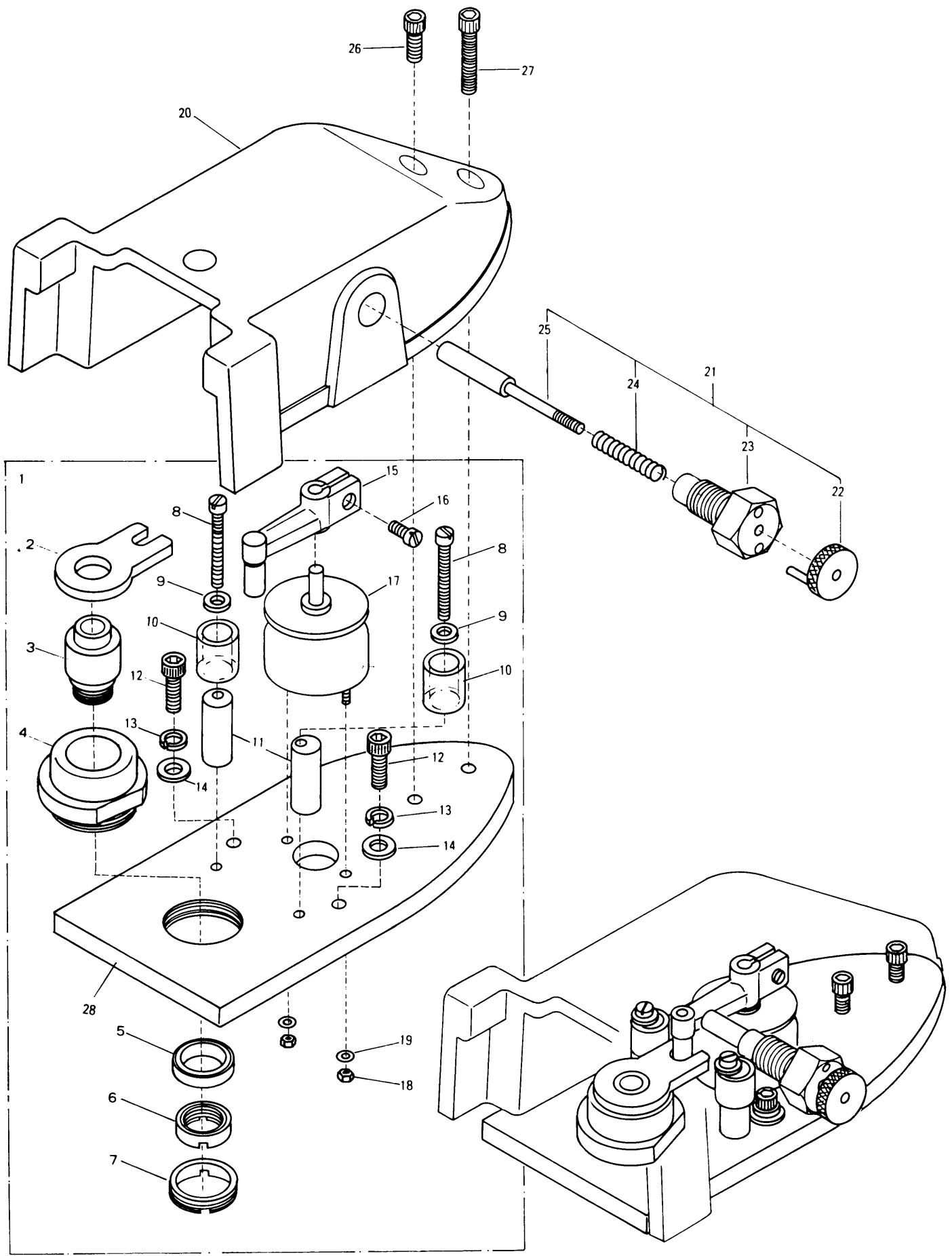
ROTARY COLOUR CHANGE HEAD AND TAKE UP MECHANISM

No.	Description	
1	2303F TAKE UP LEVER ASSY COMPLETE
2	2349F TAKE UP LEVER
3	2353F ROLLER
4	2354F STUD
5	 CIRCLIP
6	 NUT
7	2351F TAKE UP LEVER SHAFT
8	2352F TAKE UP SPINDLE BUSH
9	2355F COLLAR
10	 SCREW (SM 1/4 - 40)
11	2361F LOCK LEVER
12	2363F THREADED STUD
13	 WASHER
14	 SOCKET SCREW (M 5)
15	2364F LOCK BAR POSITIONING CLAMP
16	 WASHER
17	 NUT (M 4 X 0.7)
18	 BOLT (M 4 X 0.7)
19	2365F LOCK LEVER BRACKET
20	 NUT (M 8)
21	 WASHER
22	 NUT (M 10)
23	 WASHER
24	3339F LOCK BAR HAND GRIP
25	 SCREW (M 5 X 0.8)



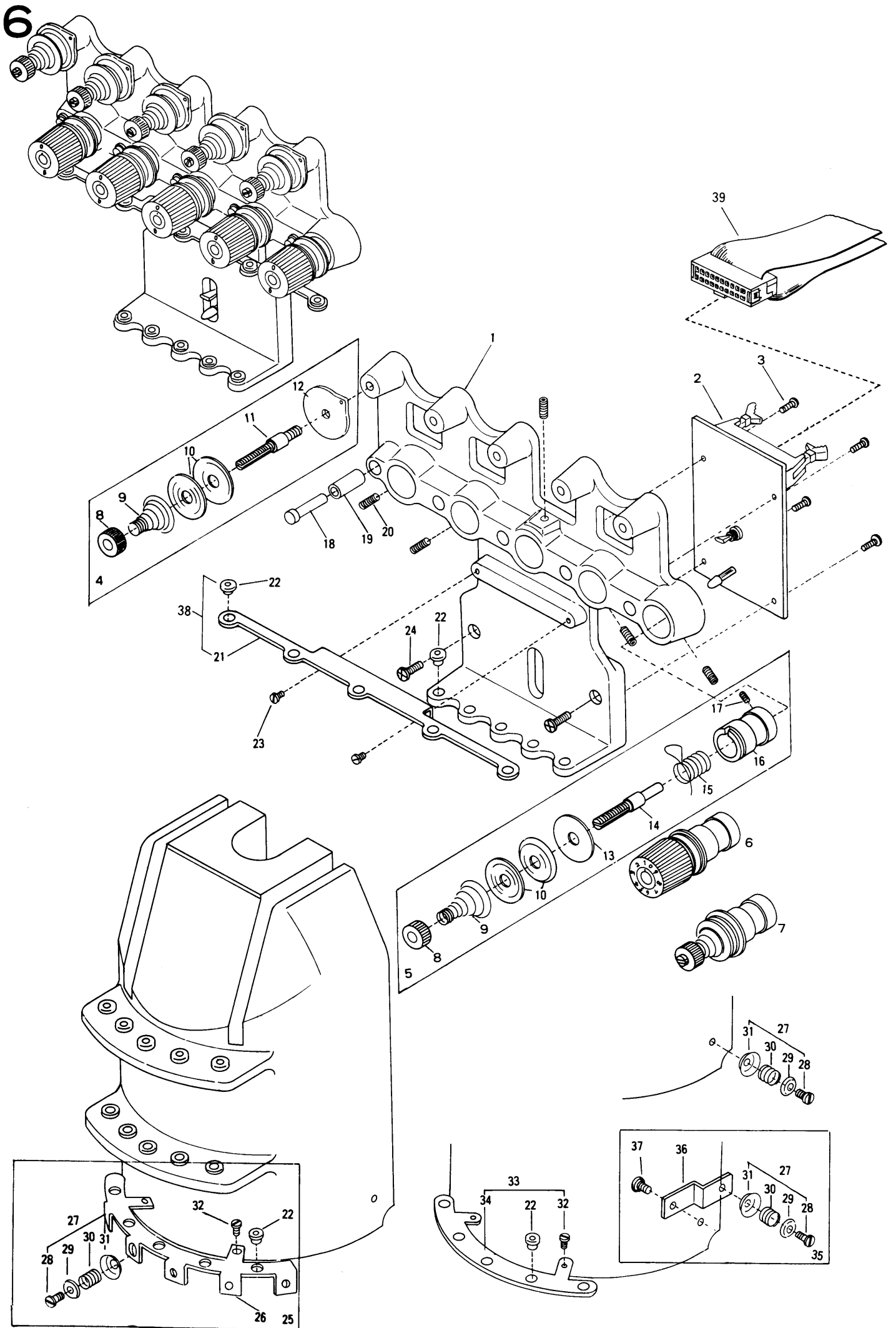
ROTARY COLOUR CHANGE HEAD AND TAKE UP MECHANISM

No.			Description
1	2301F	NEEDLE BAR ASSY
2	2302F	PRESSER FOOT
3	2318F	NEEDLE BAR SPRING (WIDE)
4	2321F	NEEDLE BAR SPRING (NARROW)
5	2313F	THREADED BUSH (TURRET ASSY)
6		HEXAGONAL NUT (M 10)
7	2391F	NYLON WASHER (THIN)
8	2393F	NYLON BUSH
9	2323F	NEEDLE CLAMP
10		NEEDLE CLAMP SCREW (SM 9/64 - 40)
11	2325F	NEEDLE (SPECIFY NEEDLE GAUGE)
12	2332F	UPPER BUSH
13	2331F	NEEDLE BAR DRIVER SHAFT
14	2334HJ	NEEDLE BAR DRIVER
15		SCREW (SM 9/64 - 40)
16	2346F	NEEDLE BAR CONNECTING LINK
17	2345F	SCREW FOR K16
18	2347F	NEEDLE BAR DRIVING FORK
19	2348F	NEEDLE SHAFT CLAMP
20		SCREW FOR K19
21	2312F	THRUST RACE WASHER FOR K38
22	SSA-2015F(NMB)	...	BEARING SPACER
23	GS-1528	GS-1528 THRUST RACE WASHER FOR K24
24	NTB-1528	THRUST RACE
25	AS-1528	THRUST RACE WASHER FOR K24
26	2333F	BEARING SHAFT
27	2335F	TURRET POSITION BRACKET
28		ALAN SCREW FOR K27 (M 5)
29		SPRING WASHER
30		WASHER FOR K28
31	2336F	PIVOT CONNECTING STUD
32	RD4020(NMB)	PIVOT COUPLING
33		NUT FOR K31 (M 4 X 0.75)
34		WASHER FOR K31
35	3338F	COLOUR CHANGE ROD HAND GRIP
36		GRUB SCREW (M 5 X 0.8)
37		GRUB SCREW FOR K12 AND K26 (SM 15/64 - 28)
38	2311F	NEEDLE BAR TURRET PLATE



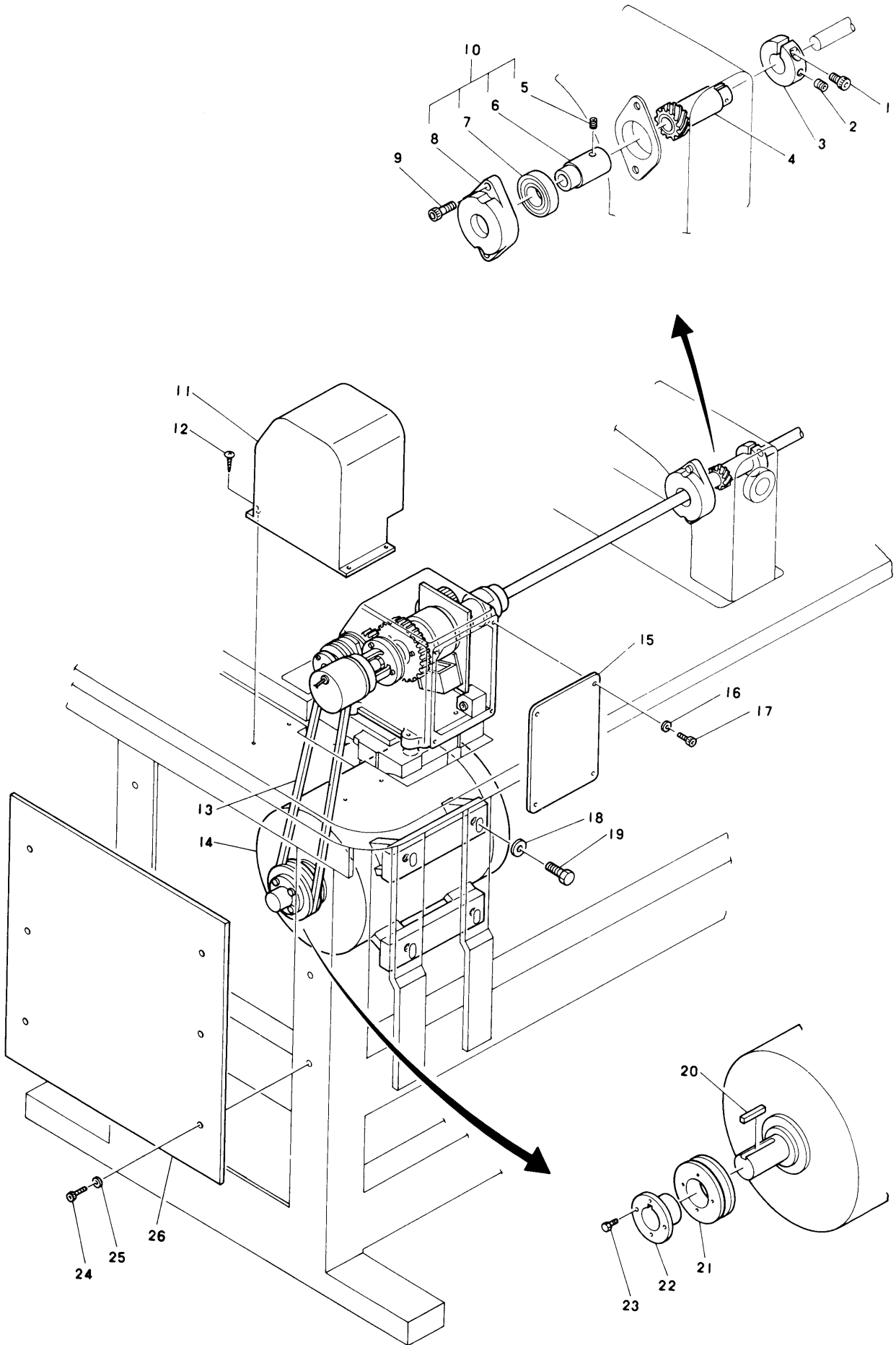
JUMP STITCH MECHANISM

No.	Description
1	2402F JUMP STITCH MECHANISM COMPLETE
2	2443F ACTUATING LEVER
3	2444F BUSH
4	2445F GUIDE BUSH
5	A2015(NMB) BALL RACE
6	2447F ROUND NUT
7	2446F ROUND NUT
8 SCREW (M 4 X 0.75)
9 WASHER
10	2449F NYLON STOP
11	2448F ADJUSTABLE ECCENTRIC FOR STOP
12 SCREW
13 SPRING WASHER
14 WASHER
15	2442F LEVER
16 SCREW FOR L15 (SM 9/64 - 40)
17	2461F ROTARY SOLENOID
18 NUT FOR L17 (M 3 X 0.5)
19 WASHER FOR L18
20	2451HJ COVER JUMP STITCH MECHANISM
21	2403F HEAD ISOLATOR ASSY
22	2452F CLUTCH RELEASE PIN
23	2455F ISOLATOR PIN RETAINING BOLT
24	2456F SPRING FOR L21
25	2453F HEAD ISOLATOR ACTUATING PIN
26 SCREW (SHORT) (M 5)
27 SCREW (LONG) (M 5)
28	2441F SOLENOID BRACKET BASE



THREAD TENSION ASSEMBLY

No.	Description
1	2411HJ THREAD TENSION ASSY BRACKET
2	5118HJ THREAD BREAK PCB
3 SCREW FOR 2 (M 3 X 0.5)
4	2406F UPPER TENSION UNIT COMPLETE
5	2407F LOWER TENSION UNIT COMPLETE
6	2401HJ LOWER TENSION UNIT ASSEMBLED
7	2408F UPPER TENSION UNIT ASSEMBLED
8	2471F ADJUSTING NUT UPPER AND LOWER
9	2436H THREAD TENSION SPRING
10	2425F THREAD TENSION DISCS
11	2416F THREAD TENSION POST (UPPER)
12	2422F TENSION DISC PLASTIC INSULATOR (UPPER)
13	2475F TENSION DISC PLASTIC INSULATOR (LOWER)
14	2417F THREAD TENSION POST (LOWER)
15	2481F CHECK SPRING
16	2477F TENSION SPRING HOLDER
17 GRUB SCREW
18	2431F STOP MOTION CONTACT
19	2432F INSULATOR
20 SCREW
21 TOP THREAD GUIDE BAR
22	2433F THREAD GUIDE (CERAMIC)
23	2491F SCREW FOR M21
24 SCREW FOR M1
25	2501F THREAD END TRAP UNIT ASSY
26	2521F THREAD END TRAP BASE PLATE
27	2520F INDIVIDUAL THREAD END TRAP COMPLETE
28	2525F SCREW FOR M27
29	2523F WASHER FOR M27
30	2524F SPRING FOR M27
31	2522F THREAD TRAP DISC
32 SCREW TRAP DISC
33	2502F THREAD END TRAP UNIT ASSY (OLD UNIT)
34	2531F THREAD END TRAP BASE PLATE
35	2530F INDIVIDUAL THREAD END TRAP COMPLETE
36	2526F STAY
37 SCREW
38	2430F TOP THREAD GUIDE UNIT COMPLETE
39	5141HJ HEAD PCB CABLE (6 HEADS)
	5142HJ HEAD PCB CABLE (8 HEADS)
	5143HJ HEAD PCB CABLE (10 HEADS)
	5144HJ HEAD PCB CABLE (12 HEADS)



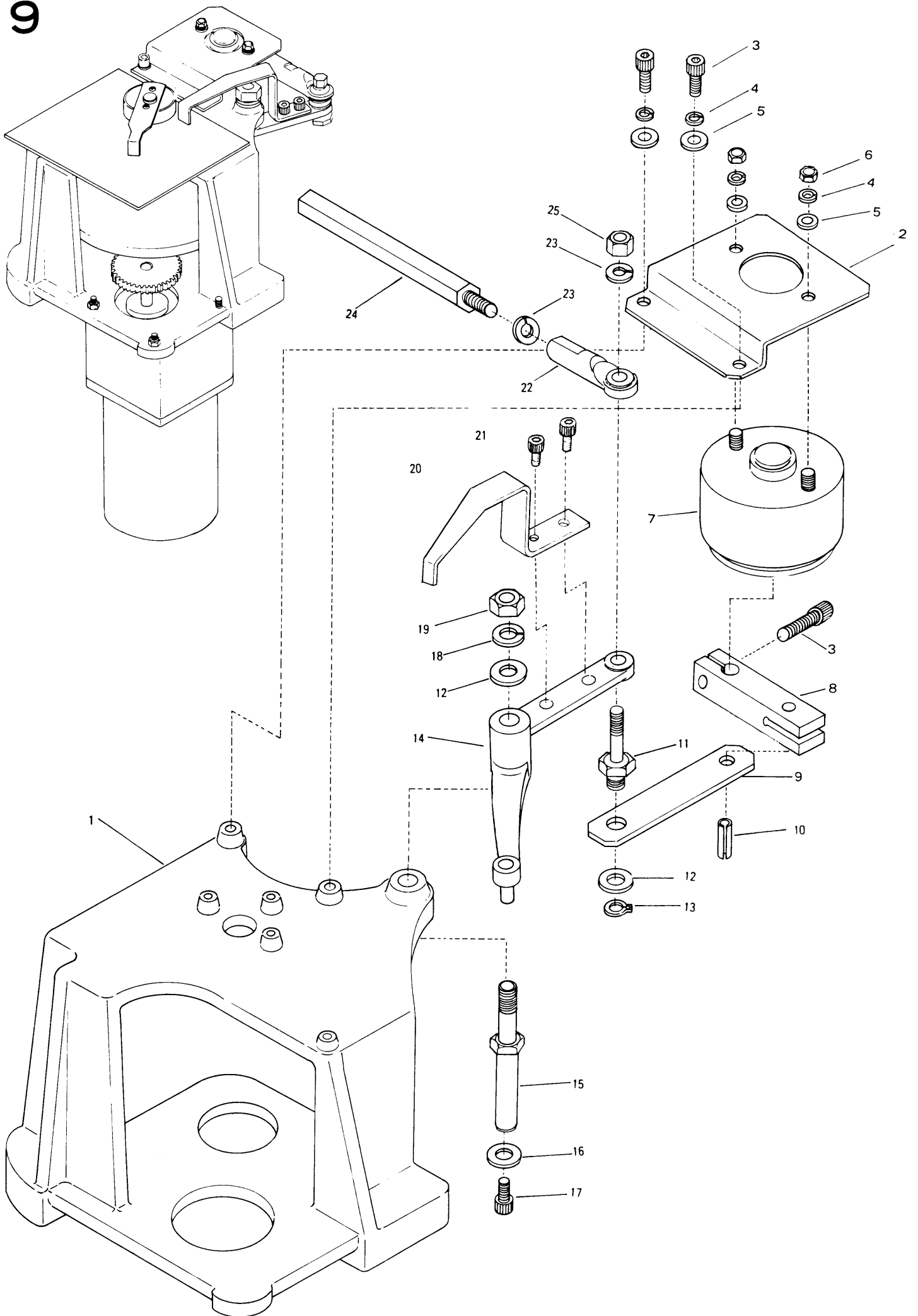
DRIVE MOTOR AND CLUTCH COMPLETE 1

No.	Description
1 BOLT (M 6)
2 SCREW (M 6)
3	3252F HELICAL GEAR CLAMP
4	3251F HELICAL GEAR
5 SCREW (M 6)
6	3226F SHAFT COLLAR
7	NTN6204 BEARING
8	3225F FLANGE
9 BOLT (M 6)
10	3204F FLANGE SET
11	3162HJ-2 BELT COVER
12 SCREW
13	3141HJ DRIVE BELT
14	3111HJ DRIVE MOTOR (3 PHASE)
	3112HJ DRIVE MOTOR (1 PHASE)
15	3163HJ CLUTCH BOX REAR COVER
16 WASHER
17 BOLT (M 4)
18 WASHER
19 BOLT (M 3/8)
20	3136HJ KEY (MOTOR 3P 60Hz)
	3137HJ KEY (MOTOR 3P 50Hz)
	3138HJ KEY (MOTOR 1P 50/60Hz)
21	3131HJ PULLEY (MOTOR 3P 60Hz)
	3122HJ PULLEY (MOTOR 3P 50Hz)
	3128HJ PULLEY (MOTOR 1P 60Hz)
	3129HJ PULLEY (MOTOR 1P 50Hz)
22	3133HJ PULLEY (MOTOR 3P 60Hz)
	3134HJ PULLEY (MOTOR 3P 50Hz)
23 BOLT (M 6)
24 BOLT (M 6)
25 WASHER
26	1191HJ FOOT FRAME SIDE COVER (R)
	1192HJ FOOT FRAME SIDE COVER (L)

DRIVE MECHANISM FOR MAGNETIC BRAKE

No.	PART #	Description
1	3259C	HAND PULLEY
2	3255H	COUPLING
3	91148	FRANGE UFL-004
4	31T1C01	ENCODER DRIVE GEAR No.1
5	31S2C02	BRAKE SHAFT
6		KEY 6×6×32L
7	31T2C01	ENCODER DRIVE GEAR No.2
8	31S9C	HOLDER FOR ENCODER
9	5121C	ENCODER
10	31S1C	HOUSING FOR BRAKE
11	31S5C01	DRIVE PULLEY
12	31T3C	BELT COVER
13	31S0C	BRAKE UNIT (JB-2.5)
14	31T4C	BELT COVER STAY
15		STOPPER
16	91003	BEARING 6001ZZ
17	31L9C	IDLER PULLEY
18	31M1C	IDLER STAY
19	31M0C	IDLER SHAFT
20	3111C	MOTOR (3P)
	3112C	MOTOR (1P)
21	92026	V-BELT (3V-500)3P 50/60HZ
	92027	V-BELT (3V-530) 1P 50/60HZ
22	31S3C01	MOTOR PULLEY (3P 50/60HZ)
	31S4C	MOTOR PULLEY (1P 50/60HZ)

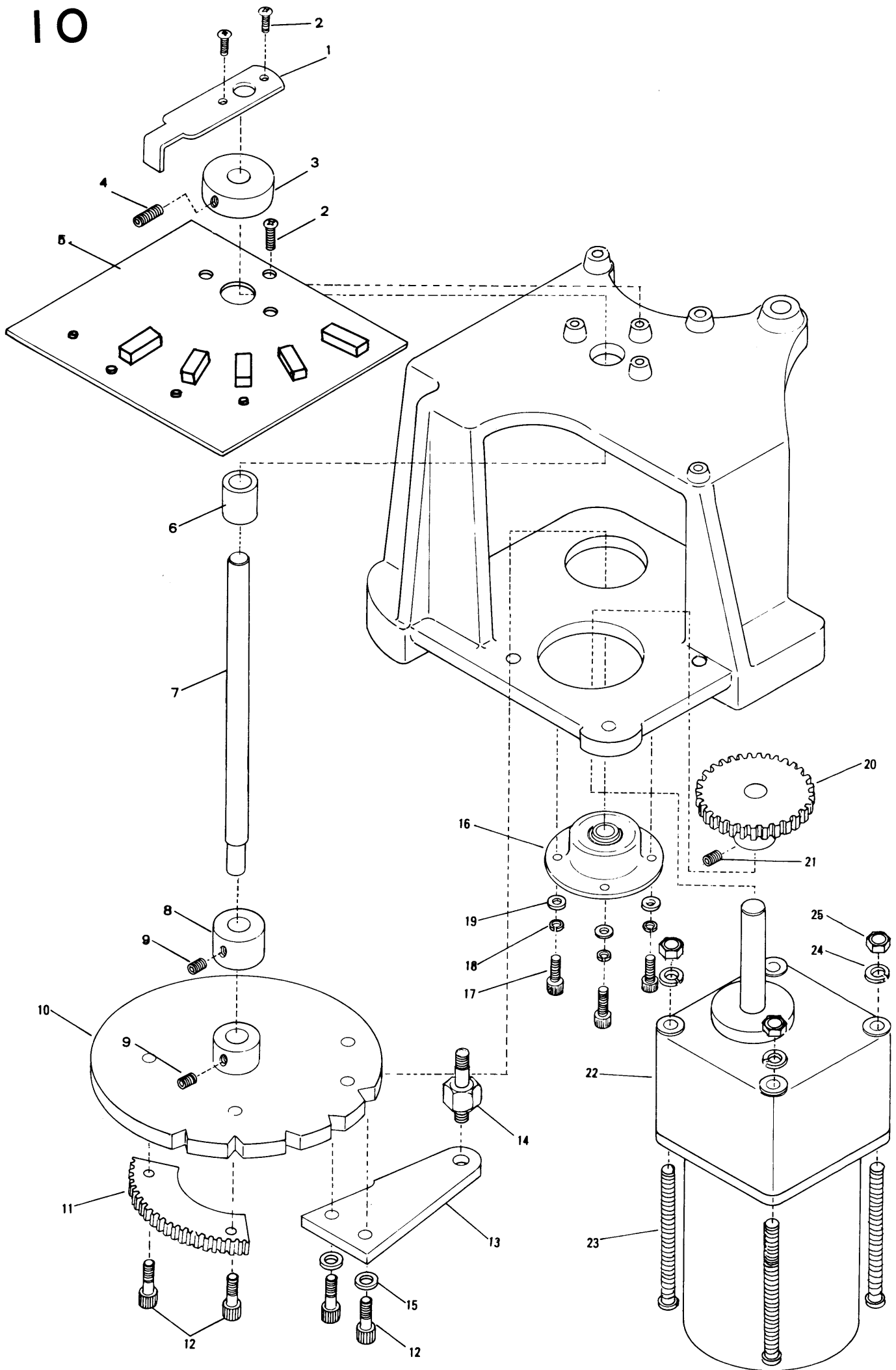
9



ROTARY COLOUR CHANGE SELECTOR ASSEMBLY

No.	Description
1	3313HJ BASE ROTARY COLOUR CHANGE ASSY
2	3326HJ ROTARY SOLENOID MOUNTING
3 ALAN SCREW
4 SPRING WASHER
5 WASHER
6 HEXAGONAL NUT
7	3385HJ ROTARY SOLENOID
8	3324HJ LINKAGE (LARGE)
9	3325HJ LINKAGE PLATE
10 CIRCULAR SPRING PIN
11	3323HJ THREADED STUD
12 WASHER
13 CIRCLIP
14	2361F LOCK LEVER
15	2363F THREADED PIVOT STUD
16 WASHER
17 WASHER ALAN SCREW
18 SPRING WASHER
19 HEXAGONAL NUT
20	3329HJ LOCK CONFIRMATION LEVER
21 ALAN SCREW
22	CRB6(NMB) UNIBALL COUPLING
23 SPRING WASHER
24	3351HJ HEXAGONAL CONNECTING ROD
25 HEXAGONAL NUT

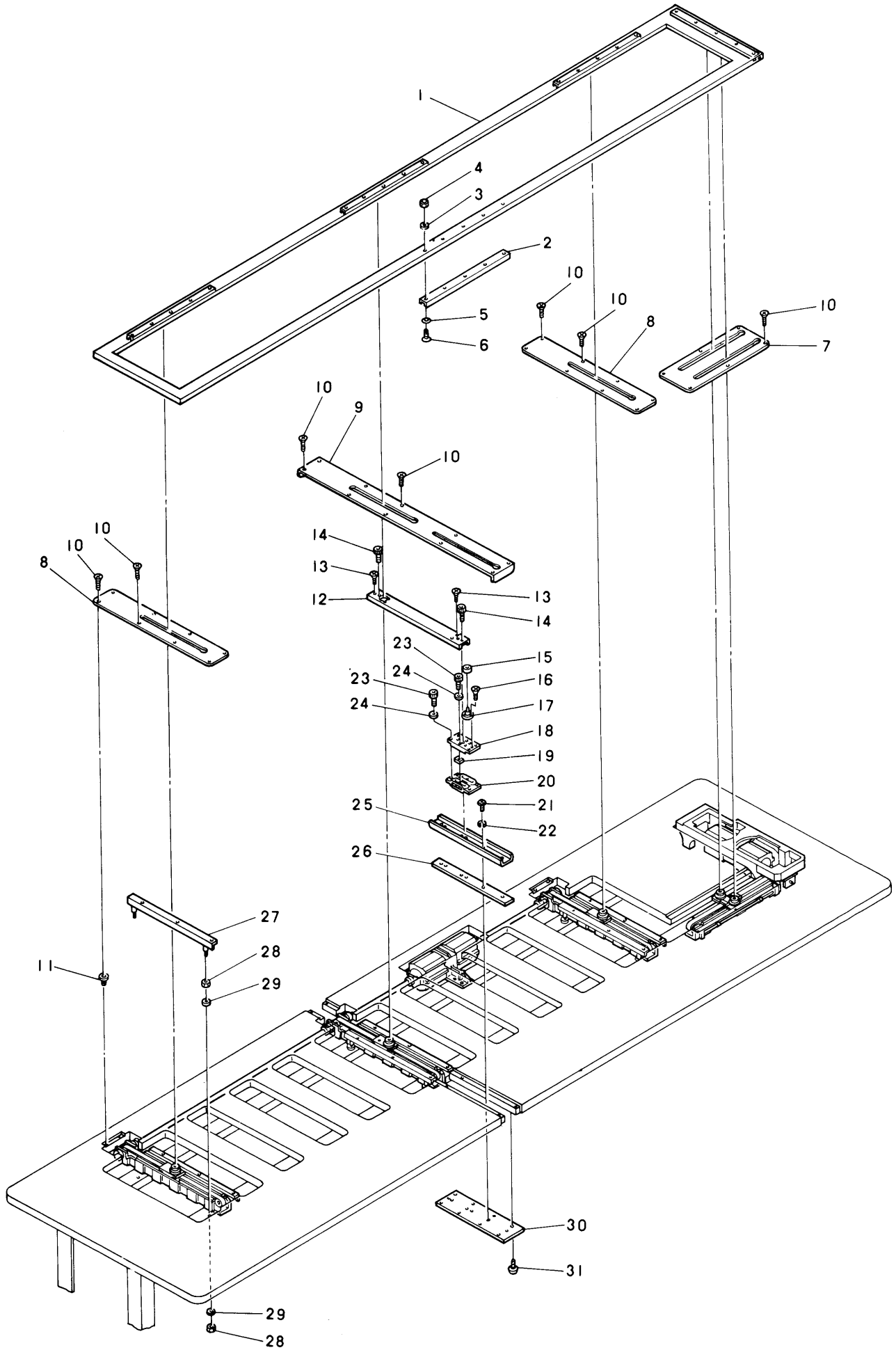
10



ROTARY COLOUR CHANGE SELECTOR ASSEMBLY

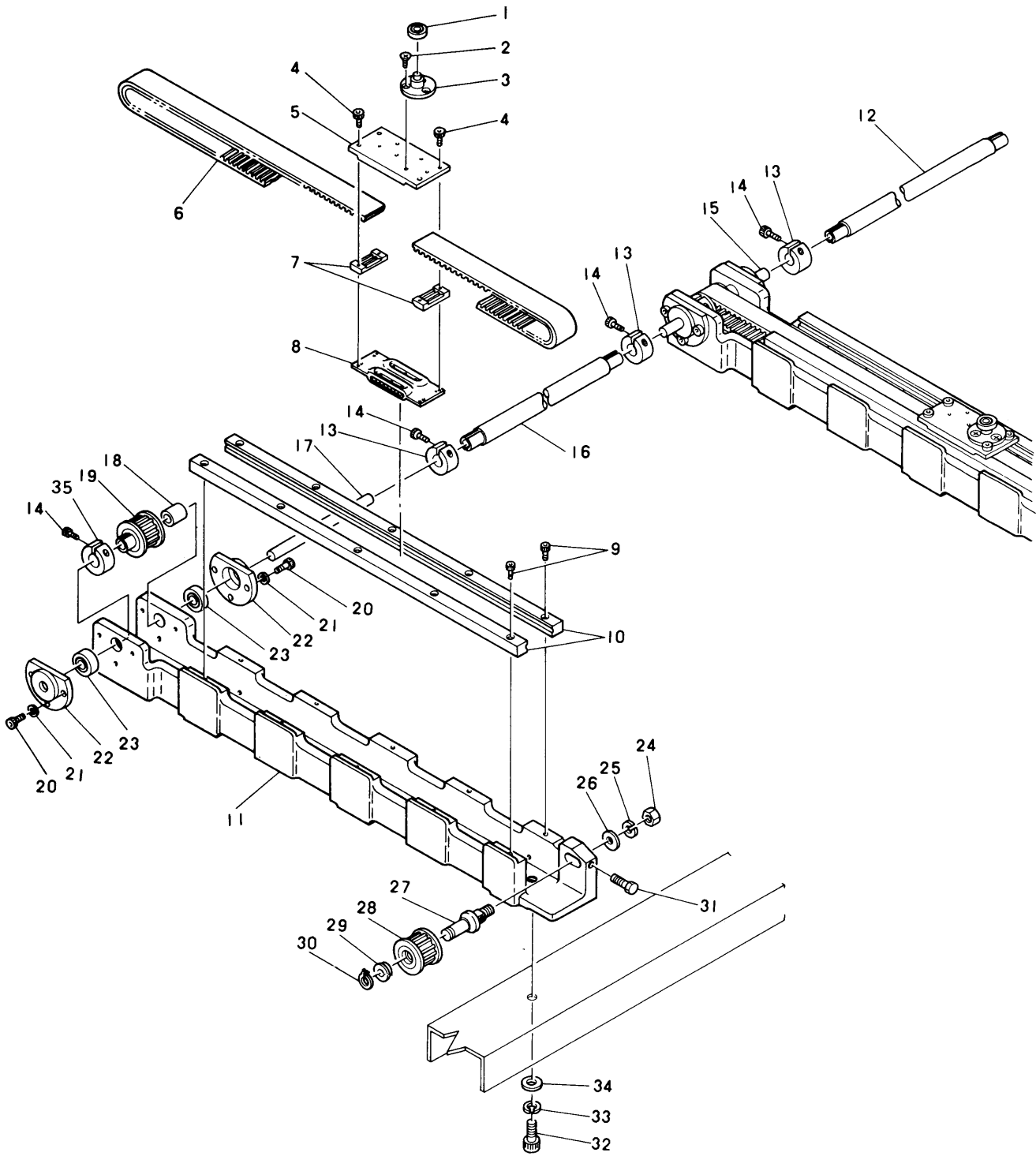
(EXPLODED VIEW)

No.	Description
1	3328HJ COLOUR CHANGE CONFIRMATION LEVER
2 SCREW
3	3317HJ BUSH
4 GRUB SCREW
5	5114HJ NEEDLE POSITION SENSOR UNIT
6	3319HJ BUSH
7	3316HJ SPINDLE
8	3318HJ BUSH
9 GRUB SCREW
10	3315HJ COLOUR CHANGE TURRET
11	3322HJ GEAR (LARGE)
12 ALAN SCREW
13	2335F FLANGE PLATE FOR TURRET
14	2336F JOINT PIN
15 WASHER
16	3361HJ CLUTCH PLATE
17 ALAN SCREW
18 SPRING WASHER
19 WASHER
20	3321HJ GEAR (SMALL)
21 GRUB SCREW
22	3381HJ REDUCTION GEAR BOX
23 BOLT
24 SPRING WASHER
25 HEXAGONAL NUT



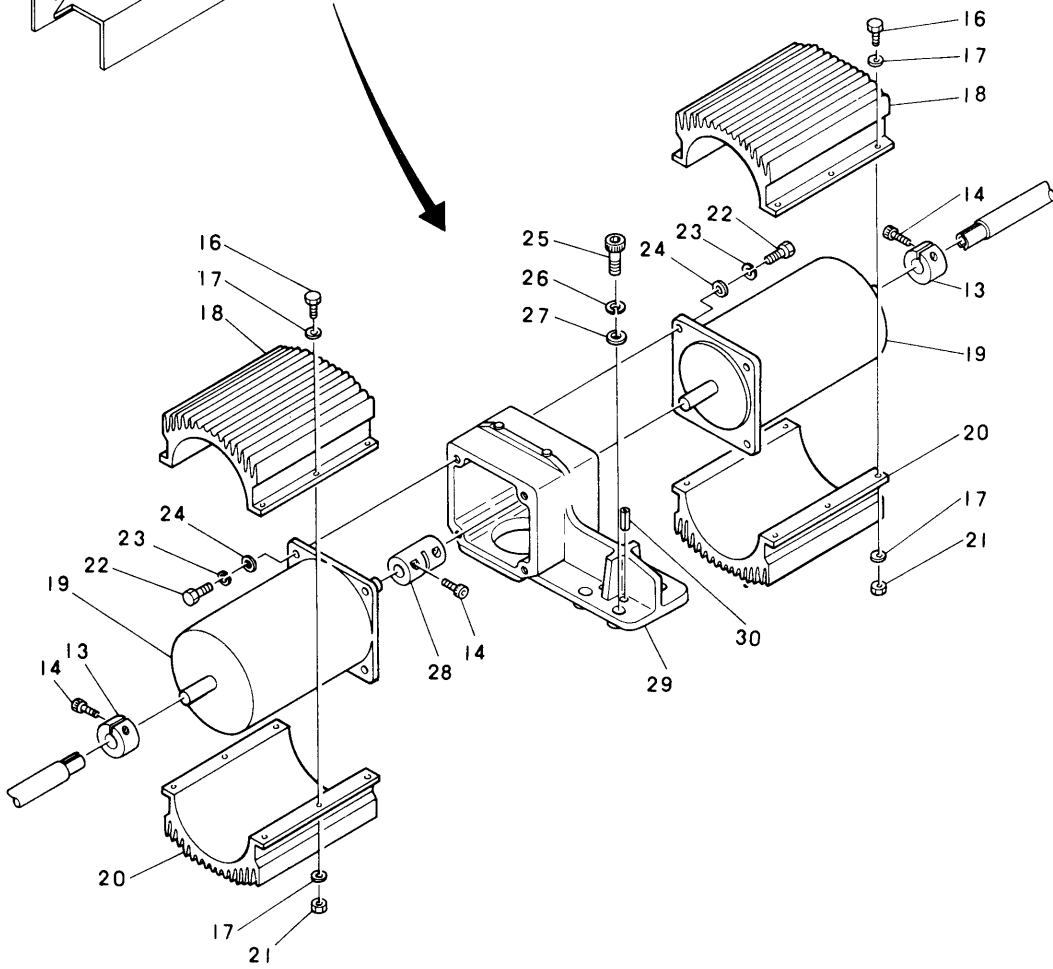
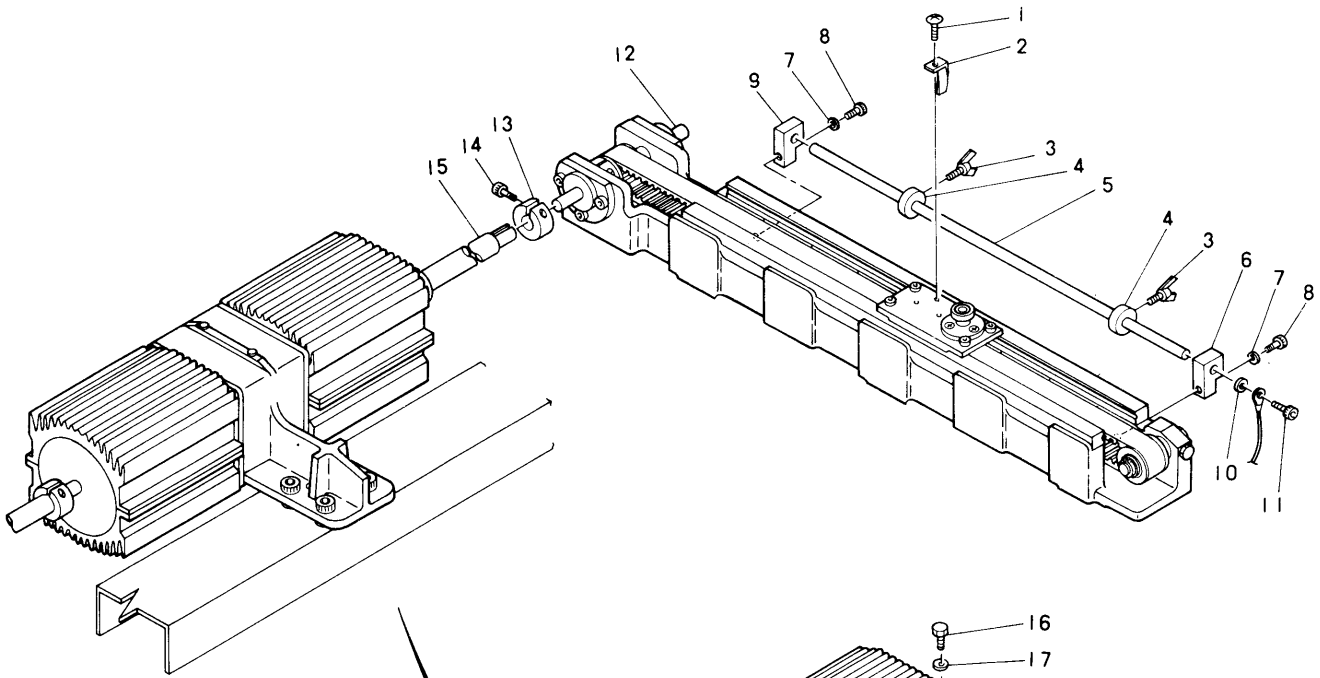
PANTOGRAPH DRIVE MECHANISM 1

No.	Description
1	4510HJ PANTOGRAPH (6 HEADS)
	4520HJ PANTOGRAPH (8 HEADS)
	4530HJ PANTOGRAPH (10 HEADS)
	4540HJ PANTOGRAPH (12 HEADS)
2	4835HJ SLIDER
3 WASHER
4 NUT (M 4)
5 WASHER
6 SCREW (M 4)
7	4816HJ V GUIDE COVER
	4819HJ V GUIDE COVER
8	4814HJ H GUIDE COVER
9	4815HJ H CENTER GUIDE COVER
10 SCREW (M 4)
11 NUT (M 4)
12	4824HJ H CONNECTING CHANNEL
13 SCREW (M 4)
14 BOLT (M 4)
15	625ZZ BEARING
16 SCREW (M 4)
17	4826HJ BEARING SHAFT
18	4821HJ H SLIDE PACK BASE
19	4838HJ SPACER FOR FBW 3590
20	4831H SLIDE PACK
21 SCREW (M 4)
22 WASHER
23 BOLT (M 3)
24 WASHER
25 RAIL FBW 3590 (400L)
26	4829HJ SPACER FOR H CENTER GUIDE RAIL
27	4817HJ GUIDE COVER BASE (R/L)
28 NUT (M 6)
29 WASHER
30	4828HJ H CENTER GUIDE RAIL BASE
31 SCREW



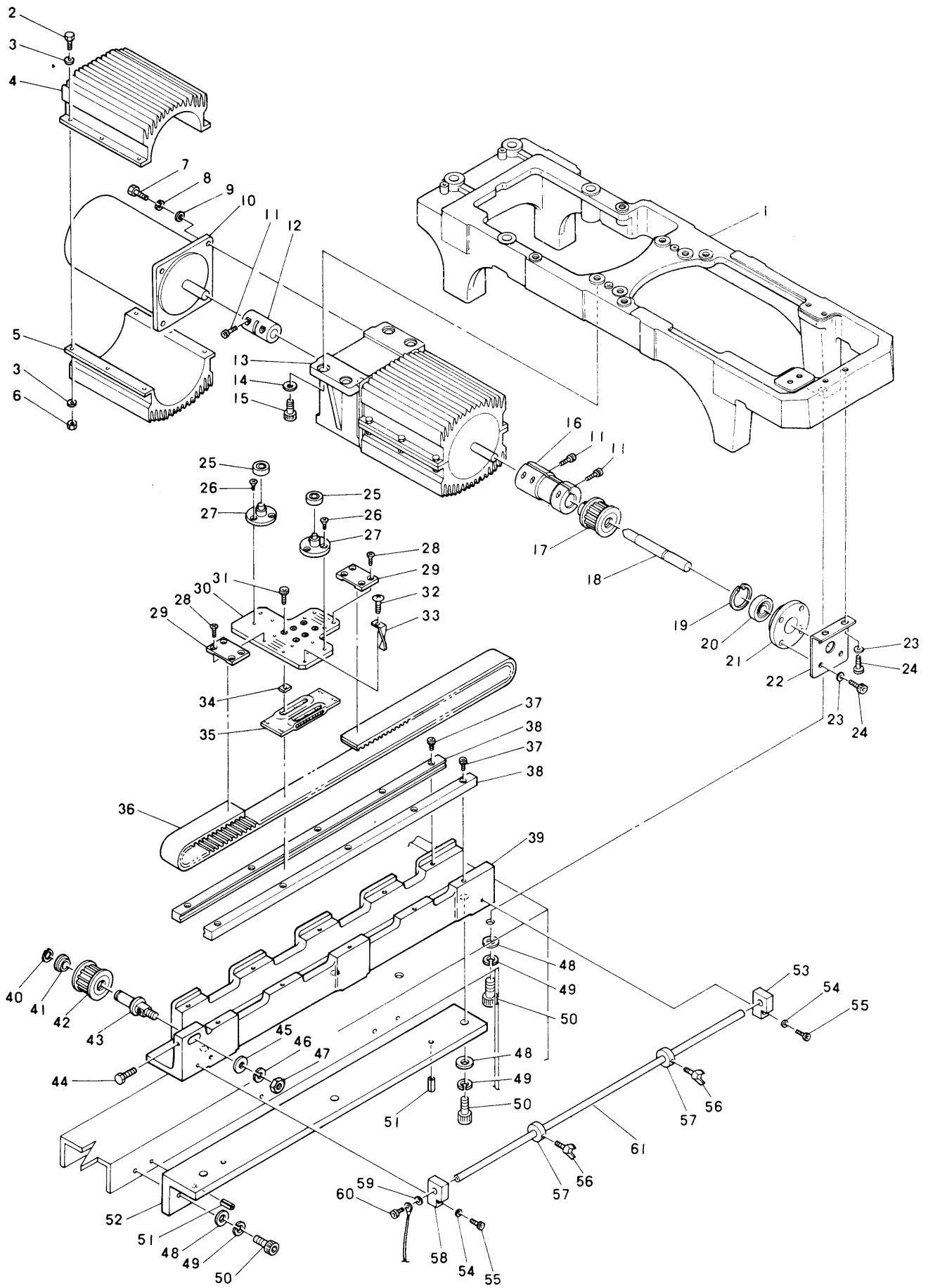
PANTOGRAPH DRIVE MECHANISM (H DIRECTION) 2

No.	Description
1	625ZZ BEARING
2 SCREW (M 4 X 0.7)
3	4826HJ BEARING SHAFT
4 BOLT (M 3)
5	4821HJ H SLIDE PACK BASE
6	T5-20-222 TIMING BELT
7	4765HJ TIMING BELT RUCK
8	4831H SLIDE PACK
9 BOLT (M 4)
10	4833HJ GUIDE RAIL
11	4811HJ H RAIL BASE
12	4783HJ PULSE MOTOR CONNECTING SHAFT (8 HEADS)
	4785HJ PULSE MOTOR CONNECTING SHAFT (10 HEADS)
	4789HJ PULSE MOTOR CONNECTING SHAFT (12 HEADS)
13	4718H COUPLING
14 BOLT (M 5)
15	4764HJ TIMING BELT SHAFT
16	4781HJ PULSE MOTOR CONNECTING SHAFT (8 HEADS)
	4787HJ PULSE MOTOR CONNECTING SHAFT (10,12 HEADS)
17	4759HJ TIMING BELT SHAFT
18	4762HJ TIMING PULLEY COLLAR
19	4752HJ TIMING BELT PULLEY
20 BOLT (M 4 X 0.7)
21 WASHER
22	4769HJ SHAFT HOUSING
23 BEARING (108)
24 NUT (M 8)
25 WASHER
26 WASHER
27	4827HJ TIMING PULLEY SHAFT (FRONT)
28	4754HJ TIMING BELT PULLEY
29	4841H TIMING PULLEY SHAFT BUSH
30 CIRCLIP
31 BOLT (M 4)
32 BOLT (M 8)
33 WASHER
34 WASHER
35	4719HJ COUPLING



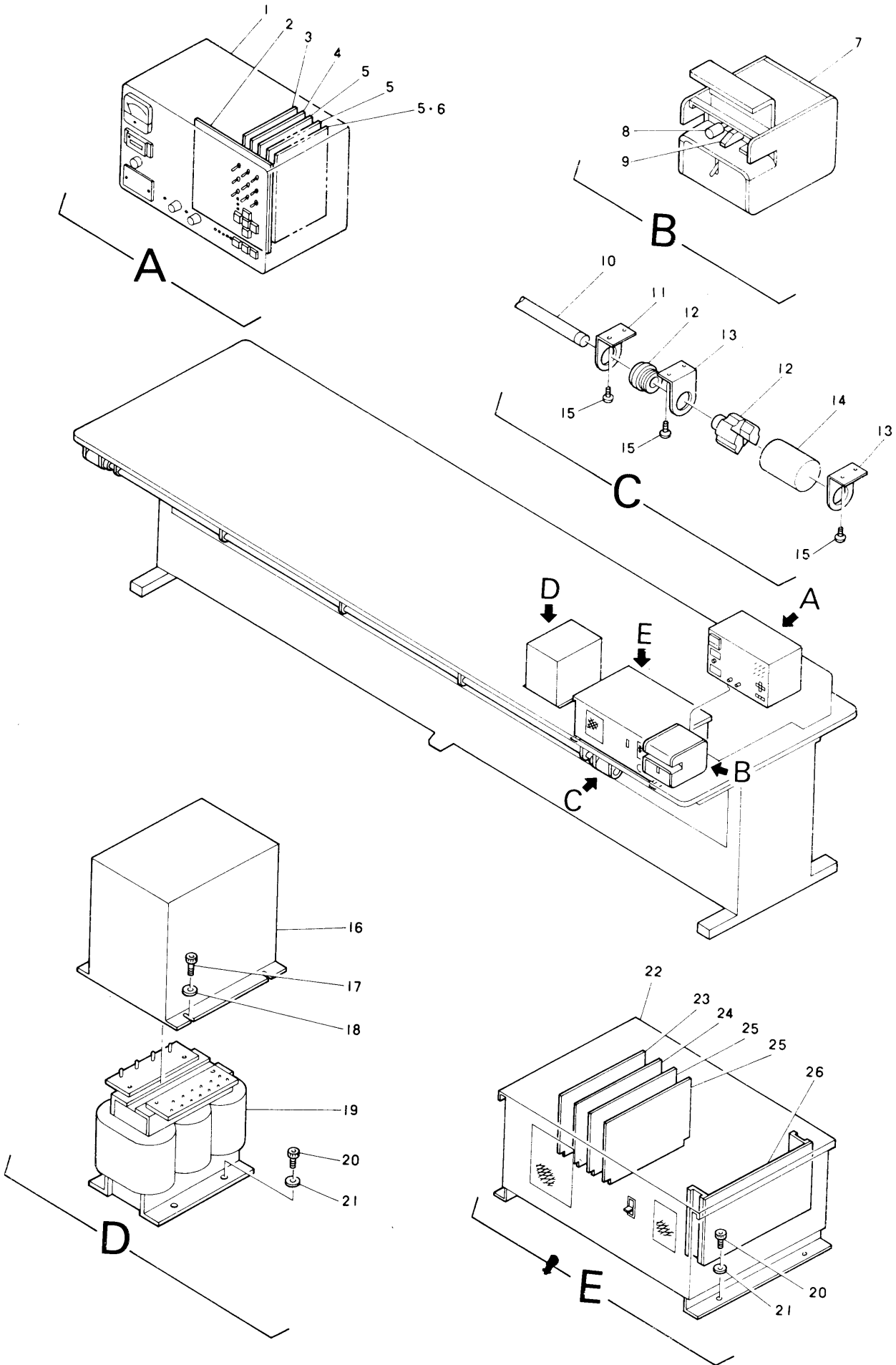
PANTOGRAPH DRIVE MECHANISM (H DIRECTION) 3

No.	Description
1	SCREW (M 4)
2	4596HJ FRAME LIMIT STOP SENSOR PLATE
3	SCREW
4	4547HJ COLLAR FOR FRAME LIMIT STOP
5	4548HJ FRAME LIMIT STOP BAR
6	4519HJ FRAME LIMIT SWITCH BASE (L)
7	WASHER
8	BOLT (M 3)
9	4518HJ FRAME LIMIT SWITCH BASE (R)
10	WASHER
11	BOLT
12	4759HJ TIMING BELT SHAFT
13	4718HJ COUPLING
14	BOLT (M 5)
15	4782HJ PULSE MOTOR CONNECTING SHAFT (8 HEADS)
	4786HJ PULSE MOTOR CONNECTING SHAFT (10 HEADS)
	4788HJ PULSE MOTOR CONNECTING SHAFT (12 HEADS)
16	BOLT (M 3 X 0.5)
17	WASHER
18	4712H PULSE MOTOR COVER
19	4711H PULSE MOTOR
20	4712H PULSE MOTOR COVER
21	NUT (M 3)
22	BOLT (M 5 X 0.8)
23	WASHER
24	WASHER
25	BOLT (M 8)
26	WASHER
27	WASHER
28	4717H COUPLING
29	4715HJ PULSE MOTOR BRACKET
30	ROLL PIN



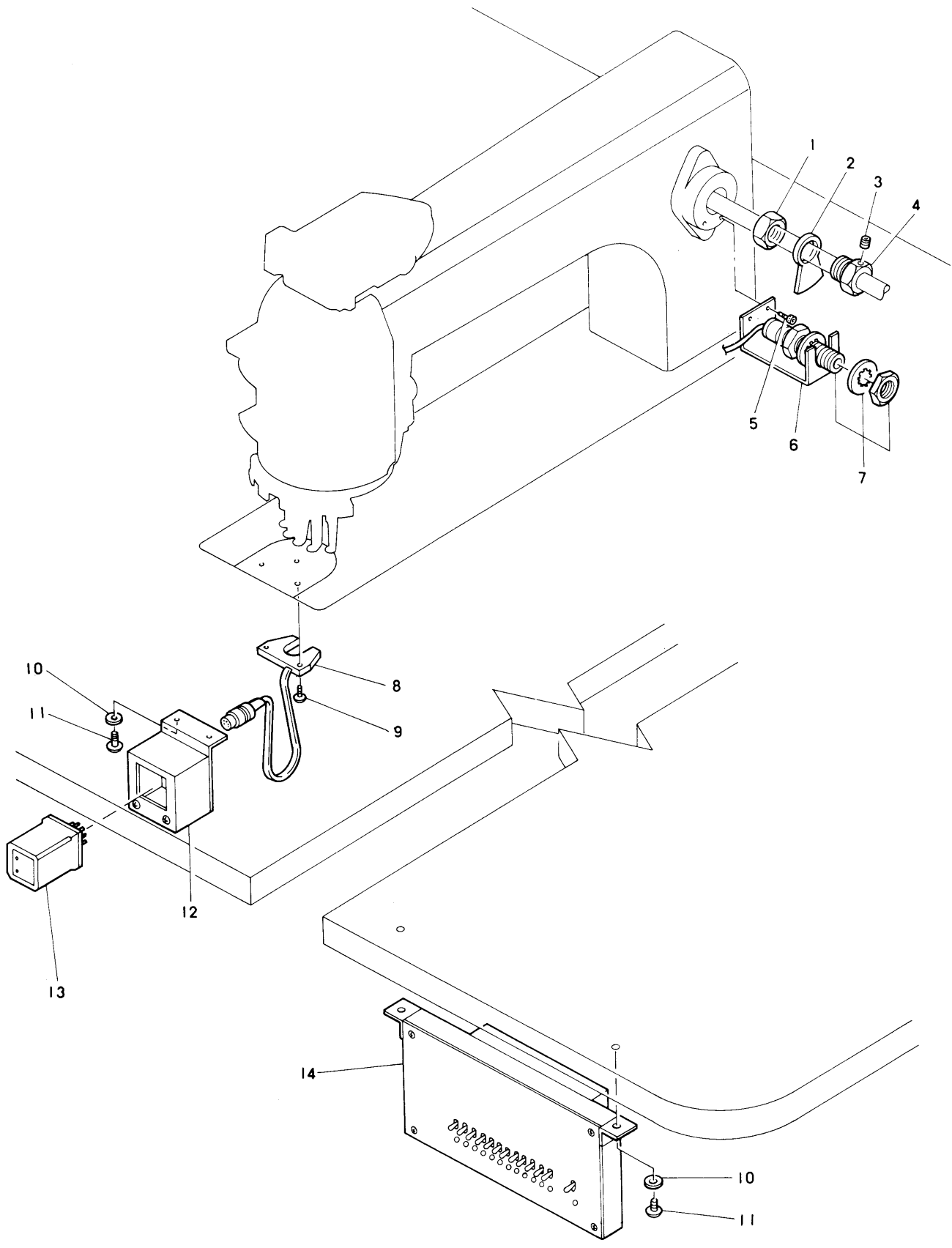
PANTOGRAPH DRIVE MECHANISM (V DIRECTION) 4

No.	Description
1	3311HJ-4 CONTROL UNIT BASE
2 SCREW (M 3)
3 WASHER
4	4712H PULSE MOTOR COVER
5	4712H PULSE MOTOR COVER
6 NUT (M 3)
7 BOLT (M 5)
8 WASHER
9 WASHER
10	4711H PULSE MOTOR
11 BOLT (M 5)
12	4717H COUPLING
13	4716HJ PULSE MOTOR BRACKET (V)
14 WASHER
15 BOLT (M 6)
16	4767HJ-1 V PULSE MOTOR COUPLING
17	4753HJ PULLEY FOR TIMING BELT
18	4761HJ-1 V TIMING BELT SHAFT
19 CIRCLIP
20 BEARING (6000Z)
21	4768HJ V TIMING BELT SHAFT HOUSING
22	4729HJ BEARING BRACKET
23 WASHER
24 BOLT (M 5)
25	625ZZ BEARING
26 SCREW (M 4)
27	4826HJ BEARING SHAFT
28 SCREW (M 4)
29	4825HJ TIMING BELT BUCKLE
30	4823HJ V SLIDE PACK BASE
31 BOLT (M 3)
32 SCREW (M 4)
33	4597HJ FRAME LIMIT STOP SENSOR PLATE
34	4838HJ SPACER FBW 3590
35	4831H SLIDE PACK
36	T5-20-208 TIMING BELT
37 BOLT (M 4 X 0.7)
38	4833HJ GUIDE RAIL
39	4812HJ V RAIL BASE (8,10,12 HEADS)
40	4813HJ V RAIL BASE (6 HEADS)
41 CIRCLIP
41	4841H TIMING PULLEY SHAFT BUSH
42	4754HJ TIMING BELT PULLEY
43	4827HJ TIMING PULLEY SHAFT (FRONT)
44 BOLT (M 4 X 0.7)
45 WASHER
46 WASHER
47 NUT (M 8)
48 WASHER
49 WASHER
50 BOLT (M 8)
51 ROLL PIN
52	4746HJ V RAIL BASE BRACKET
53	4518HJ FRAME LIMIT SWITCH BASE (R)
54 WASHER
55 BOLT (M 3)
56 SCREW
57	4547HJ COLLAR
58	4519HJ FRAME LIMIT SWITCH BASE (L)
59 WASHER
60 BOLT (M 3)
61	4548HJ FRAME LIMIT STOP BAR



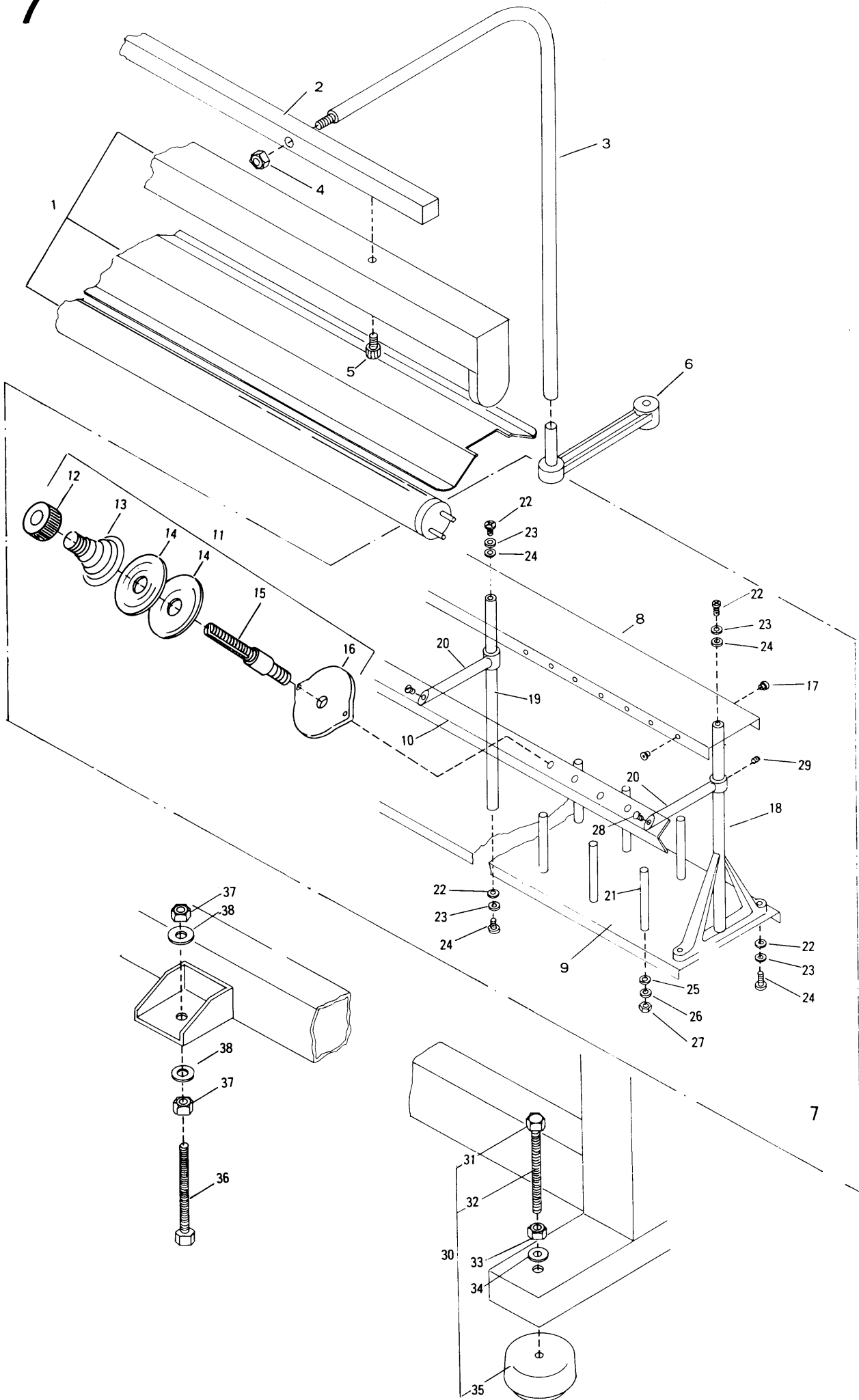
ELECTRONIC CONTROL

No.	Description
1	5110HJ-3 CONTROL PANEL BE J R, S R
2 MOTHER BOARD
3 INTERFACE BOARD J 3 3430a , 3435
4 CPU BOARD J 2 3422 , 3423 a
5 MEMORY BOARD 3401
6 MT CONTROL BOARD 3410
7	5222H TAPE READER BNR200D
8 PINCH ROLLER
9 LED ARRAY
10	5316HJ BAR SWITCH (STOP/START)
11	5319F BRACKET STOP/START BAR SWITCH
12	5311F STOP SWITCH
	5312F START SWITCH
13	5318F BRACKET STOP/START BAR SWITCH
14	5315F STOP SWITCH CASING
15 SCREW
16	5201HJ TRANSFORMER COVER
17 SCREW (M 6)
18 WASHER
19	5211HJ TRANSFORMER
20 SCREW (M 6)
21 WASHER
22	5120HJ-3 BE J R, S R MOTOR DRIVER
23 DRIVER PCB J 1 3450
24 DRIVER PCB J 2 3460 , 3462
25 DRIVER PCB J 3/J 4 3470
26 CONTROL PCB J 5/J 6



UNDER THREAD STOP MOTION (UTSM) ASSY

No.	Description
1	5418F HEXAGONAL NUT
2	5416F PROXIMITY SWITCH PROBE
3 SCREW
4	5417F HEXAGONAL NUT
5 SCREW
6	5414F PROXIMITY SWITCH BRACKET
7	5413F PROXIMITY SWITCH
8	5411F SENSOR UTSM
9 SCREW (M 3)
10 WASHER
11 SCREW
12	5401F AMPLIFIER CASING
13	5412F AMPLIFIER
14	5410HJ CONTROL BOX UNDER THREAD STOP MOTION



LIGHT FITTINGS, THREAD STAND, AND SUPPORTS

No.	Description
1	7110F FLORESCENT LIGHT UNIT
2	7114HJ TRUNKING
3	7115F LIGHT STAND
4 CHROME HEXAGONAL NUT (W 3/8)
5 SCREW (M 5 X 0.8)
6	7116F BRACKET
7	7101HJ THREAD STAND ASSY (6 HEADS)
	7102HJ THREAD STAND ASSY (8 HEADS)
	7103HJ THREAD STAND ASSY (10 HEADS)
	7104HJ THREAD STAND ASSY (12 HEADS)
8	7121HJ UPPER COVER THREAD STAND
9	7122HJ BASE THREAD STAND
10	7124HJ THREAD GUIDE BAR
11	2405H THREAD TENSION UNIT ASSY
12	2471F ADJUSTING NUT
13	2435H SPRING
14	2425F TENSION DISC
15	2416F THREAD STAND TENSION POST
16	2421H BACKING PLATE
17	2493F NUT
18	7125HJ THREAD STAND FRAME END PILLAR
19	7126HJ THREAD STAND PILLAR
20	7127HJ BRACKET AND ARM-THREAD STAND
21	7128F THREAD CONE PIN
22 WASHER
23 SPRING WASHER
24 BOLT
25 WASHER (M 5 X 0.8)
26 SPRING WASHER
27 NUT
28 SCREW (M 5 X 0.8)
29 SCREW
30	1290H FOOT ASSY
31 NUT
32	1292H BOLT
33 HEXAGONAL NUT
34 WASHER
35	1241H RUBBER FOOT
36	1296H BOLT
37 HEXAGONAL NUT
38 WASHER

